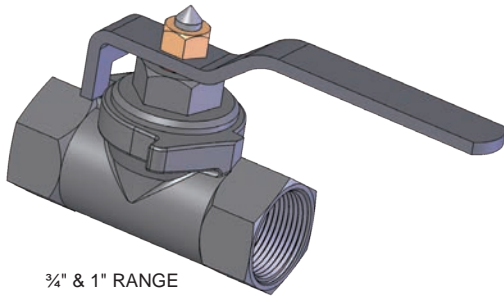
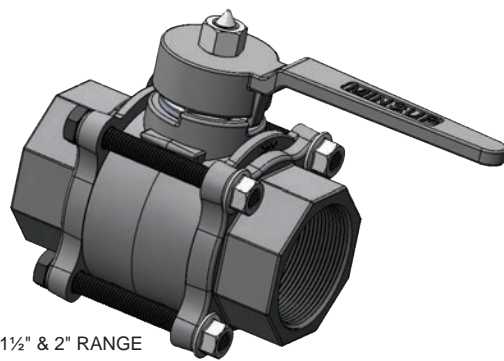


Econovalves - Ball Valves

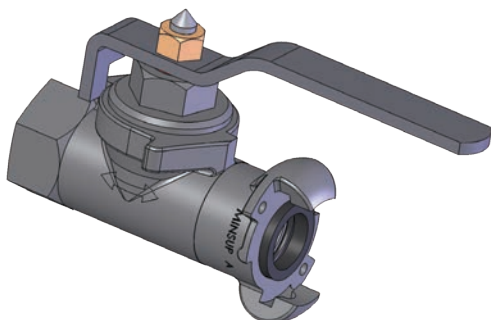
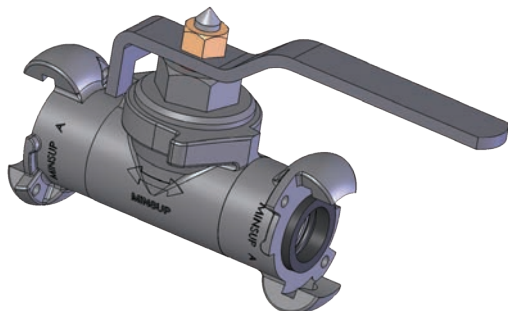
minsip



¾" & 1" RANGE



1½" & 2" RANGE



Design:	Solid construction with unique one piece ball and stem provides positive on/off action. In-line maintenance is easy for the top loading ¾" and 1" range, and the 3 piece 1½" and 2" range.
Body Materials:	Spheroidal graphite cast iron to ISO 1083; 400-250-15 SGI
Seals:	Nitrile Butadiene
Handle:	Spheroidal graphite cast iron to ISO 1083 (1½" - 2") All other sizes have pressed mild steel handles
Ball & Stem:	Spheroidal graphite cast iron to ISO 1083; Chrome copper plated to AS1192
Seats & Trim:	Nitrile Butadiene
Bolts:	Hex, M10 x 1.5 x 90, Grade 8.8, black
Nuts:	Hex, M10 x 1.5, zinc plated, Grade 8
Temperature:	-20° to 80°C
Options:	Refer Econo Valve Lockout device 419
Application:	General purpose Ball Valve suitable for mining and industrial applications.

Size (inch)	Part No.	Working Pressure		Price \$
		PSI	MPa	
BSPF x BSPF				
¾	08/062/114/00	500	3.4	62.25
1	08/062/113/00	500	3.4	52.88
1½	08/062/847/00	300	2.1	136.88
2	08/062/848/00	300	2.1	140.93
NPTF x NPTF Standard				
1	08/062/102/00	500	3.4	61.73

Price Group: MS

'A' Type x 'A' Type				
Size (inch)	Part No.	Working Pressure		Price \$
		PSI	MPa	
1	08/062/110/00	500	3.4	65.24

Price Group: MS

BSP F x 'A' Type				
Size (inch)	Part No.	Working Pressure		Price \$
		PSI	MPa	
1	08/062/104/00	500	3.4	63.11

Price Group: MS

AB01

S
453 - 499