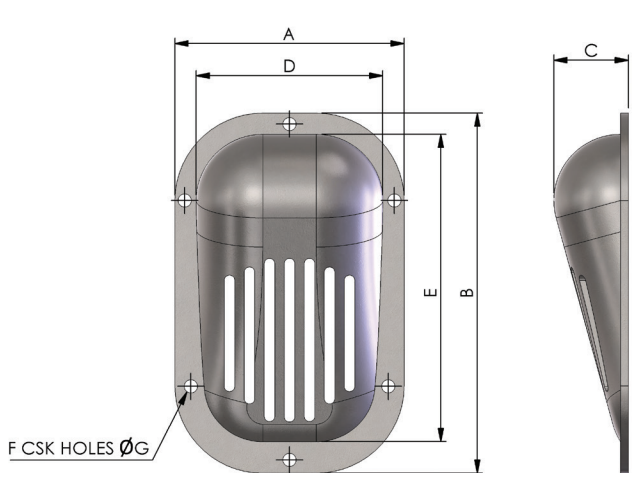


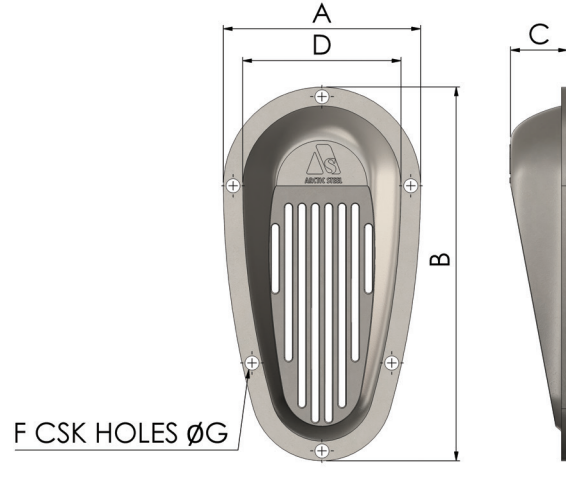
**Inlet Scoop Strainers**



<b>Application:</b>	Designed to scoop water into thru hull fittings when the boat is in motion, at the same time preventing large particles and debris from entering the marine systems aboard.
<b>Material:</b>	Solid cast 2205 stainless steel



Style A



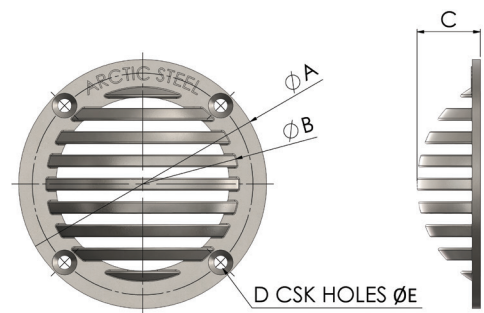
Style B

Size (mm)	Part No.	A (mm)	B (mm)	C (mm)	D (mm)	E (mm)	F (mm)	G (mm)	Style	Fits Thru Hulls	Weight (kg)	Price \$ (ea)
140 x 100	ISS140-100	100	140	28	70	115	6	5	A	½", ¾", 1"	0.40	59.98
210 x 115	ISS210-115	115	210	32	82	180	6	5	B	1¼", 1½"	0.65	88.48
315 x 160	ISS315-160	160	315	50	127	280	8	5	B	2", 2½", 3"	1.8	212.73
410 x 206	ISS410-206	206	410	60	170	370	10	5	B	4"	3.9	286.13
510 x 280	ISS510-280	275	507	70	230	470	12	6	B	6"	4.7	554.75

Price Group: HS  
AS22

**Inlet Rose Strainers**

N



Size (mm)	Part No.	A (mm)	B (mm)	C (mm)	D (mm)	E (mm)	Fits Thru Hulls	Weight (kg)	Price \$ (ea)
90	IRS-90	90	66	23	4	5	½", ¾", 1"	0.10	40.20
150	IRS-150	153	118	35	6	5	1¼", 1½", 2", 2½", 3"	0.65	58.39

Price Group: HS  
AS22

