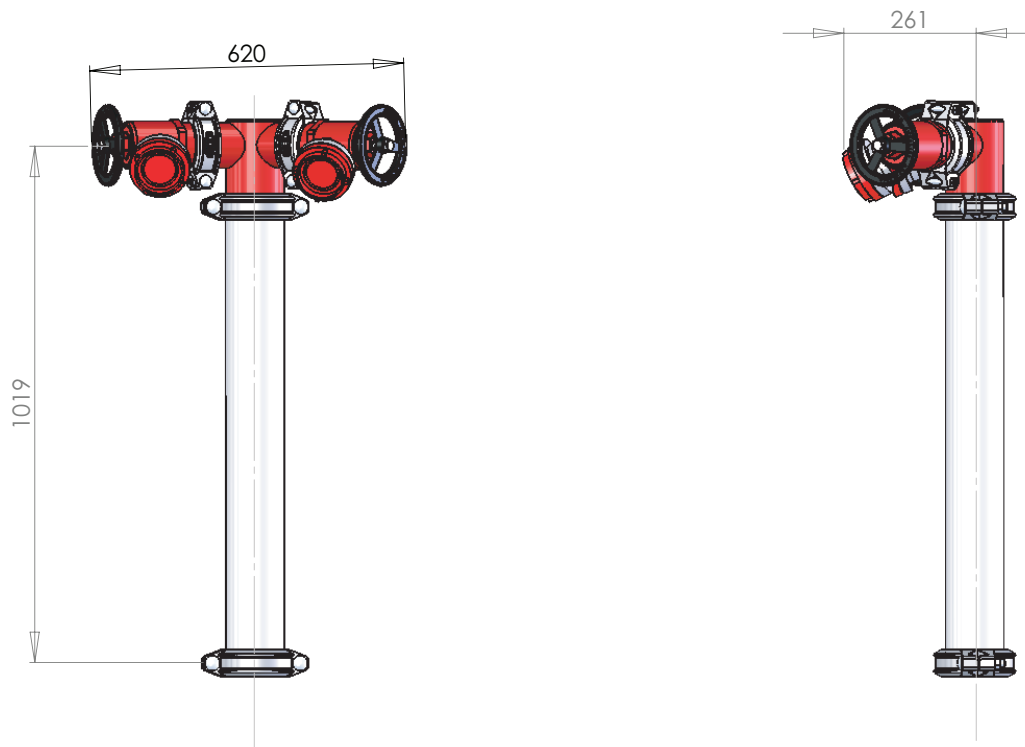


VIC/TAS Twin Hydrant Riser



100mm Twin Hydrant Riser c/w Adaptor

Part No.	Configuration	Price \$
FKG-HR-114-CFA-A	Twin riser CFA c/w braise ring or flange adaptor	1538.07
FKG-HR-114-STO-A	Twin riser Storz c/w braise ring or flange adaptor	1376.39

Price Group: FE
FP07

K