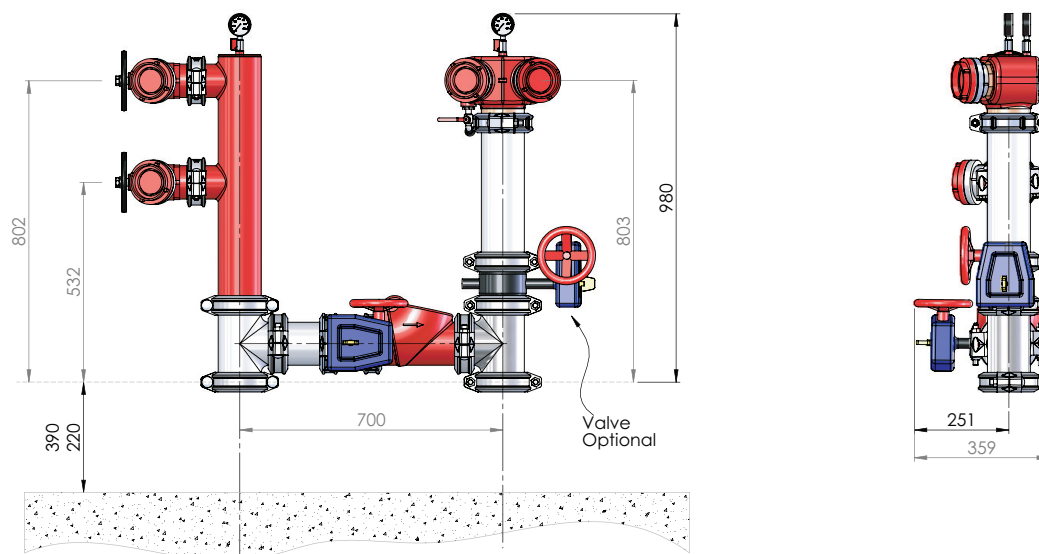


VIC/TAS Combined Suction/Booster

Hydrant Boosters are designed in accordance with the requirements of AS2419.1-2005.

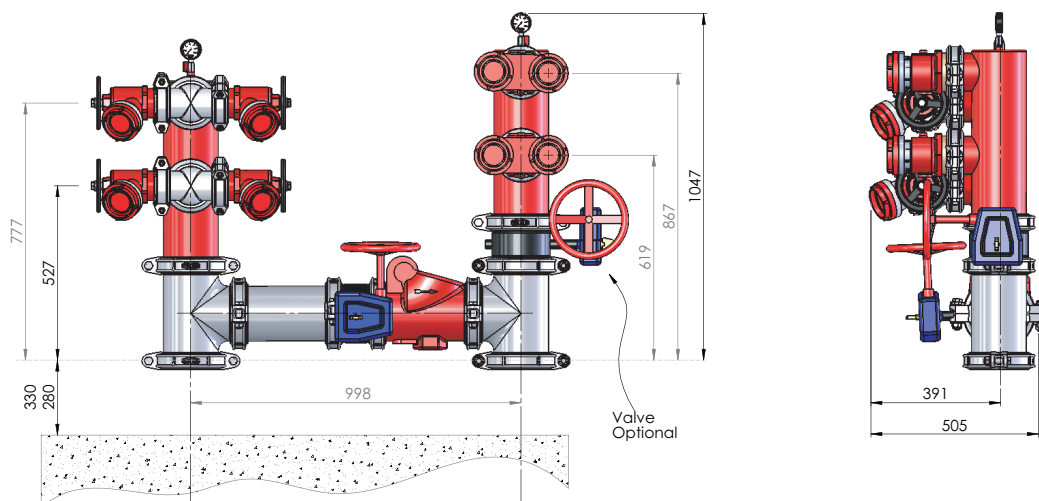


100NB Assembly			
Part No.	Configuration	Water Authority	Price \$
FFS-HP100CFA	CFA suction booster VIC	N/A	4729.36
FFS-HP100MFB	Storz suction booster VIC	N/A	5478.85
FFS-HP100CFASE	CFA suction booster VIC SE Water & City West	South East Water	8479.54
FFS-HP100MFBSE	Storz suction booster VIC SE Water & City West	South East Water	7815.59
FFS-HP100CFAYV	CFA suction booster VIC Yarra Valley	Yarra Valley Water	8524.91
FFS-HP100MFBYV	Storz suction booster VIC Yarra Valley	Yarra Valley Water	9040.12

Note: Dimensions based on using Short Series Fittings

Price Group: FE

K



150NB Assembly			
Part No.	Configuration	Water Authority	Price \$
FFS-HP150CFA	CFA suction booster VIC	N/A	7827.53
FFS-HP150MFB	Storz suction booster VIC	N/A	8519.11
FFS-HP150CFASE	CFA suction booster VIC SE Water & City West	South East Water	12713.03
FFS-HP150MFBSE	Storz suction booster VIC SE Water & City West	South East Water	12893.08
FFS-HP150CFAYV	CFA suction booster VIC Yarra Valley	Yarra Valley Water	12717.81
FFS-HP150MFBYV	Storz suction booster VIC Yarra Valley	Yarra Valley Water	13002.84

Note: Dimensions based on using Short Series Fittings

Price Group: FE

FP02