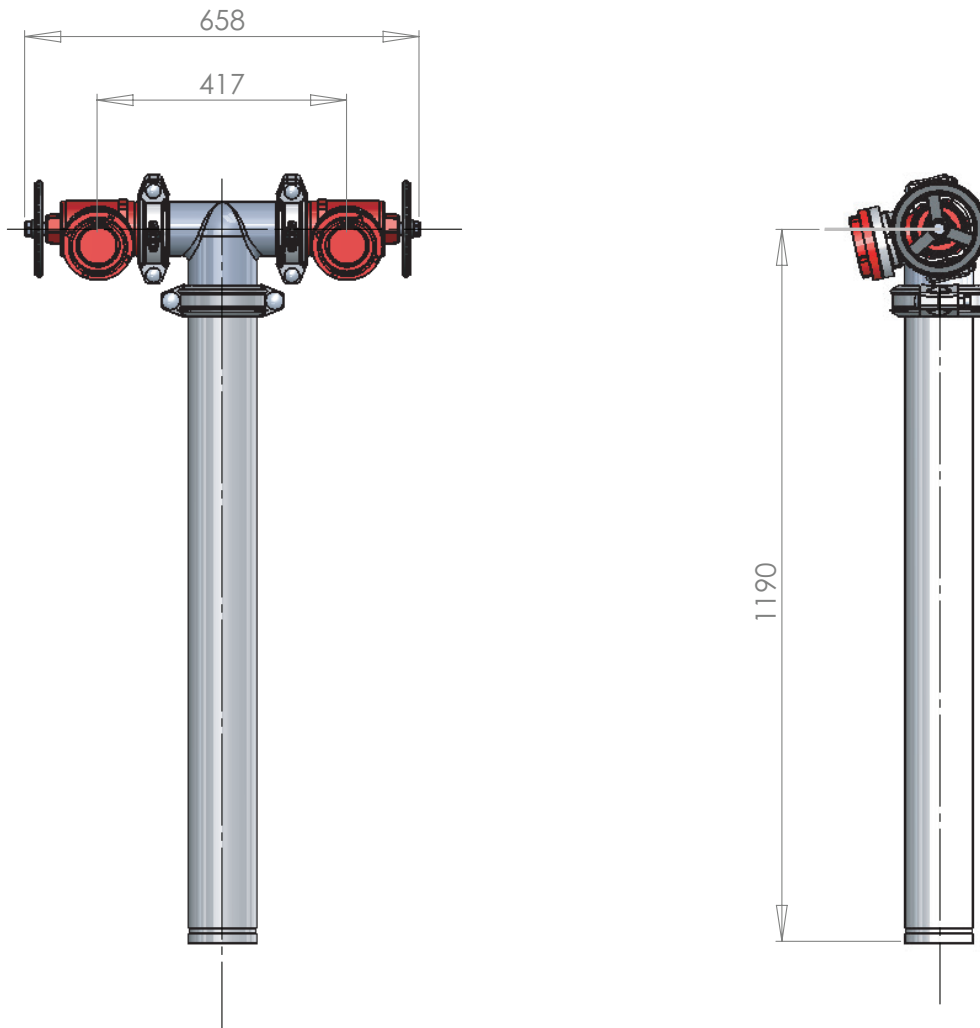


NSW Twin Hydrant Riser



Part No.	Description	Price \$
FKG-HR-114-88-S	100NB Galv Hydrant Riser Kit	1092.31

Note: Supplied as roll groove end connection.
 Roll groove to flange adaptor available, refer to page 462.
 Storz couplings & caps refer pages 436 and 437.

Price Group: FE

FP02