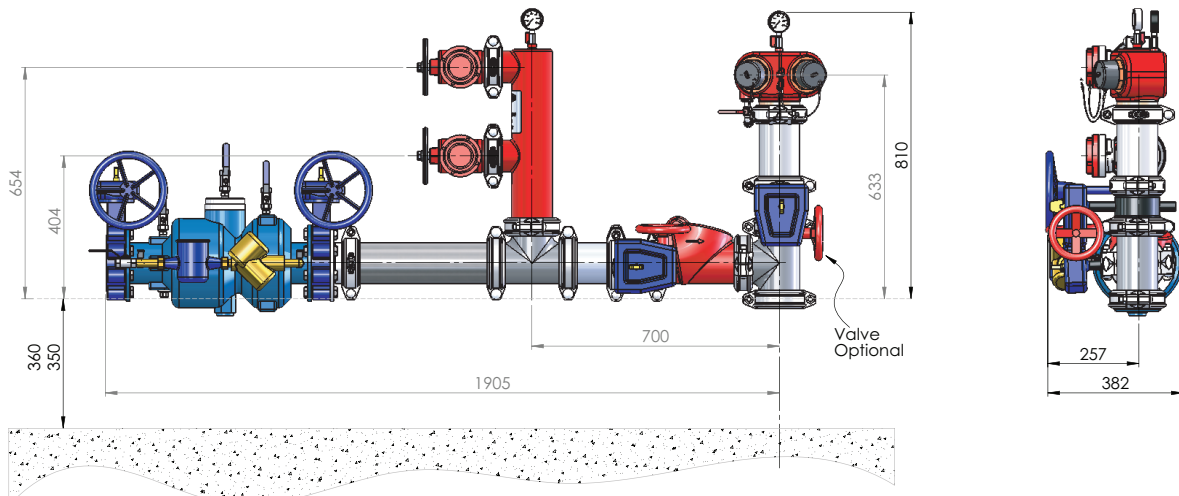
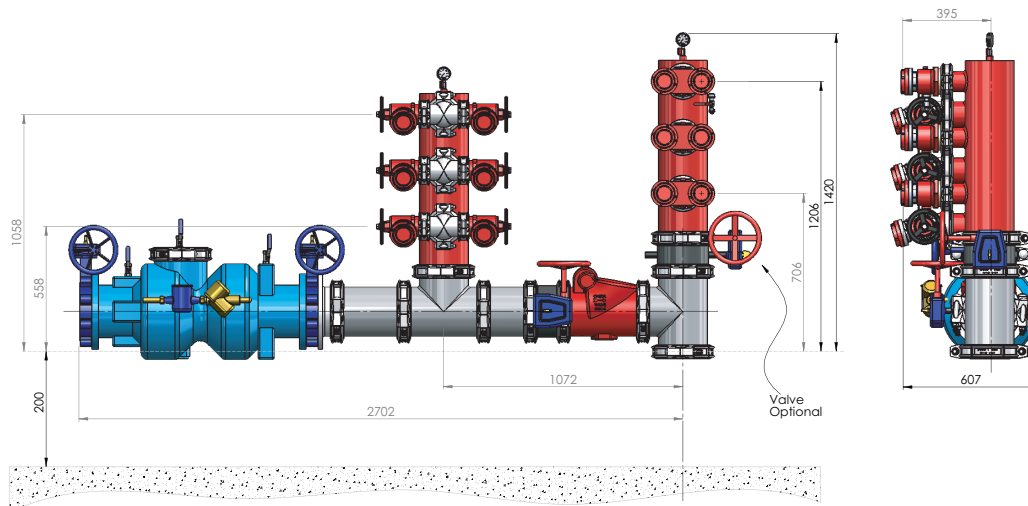
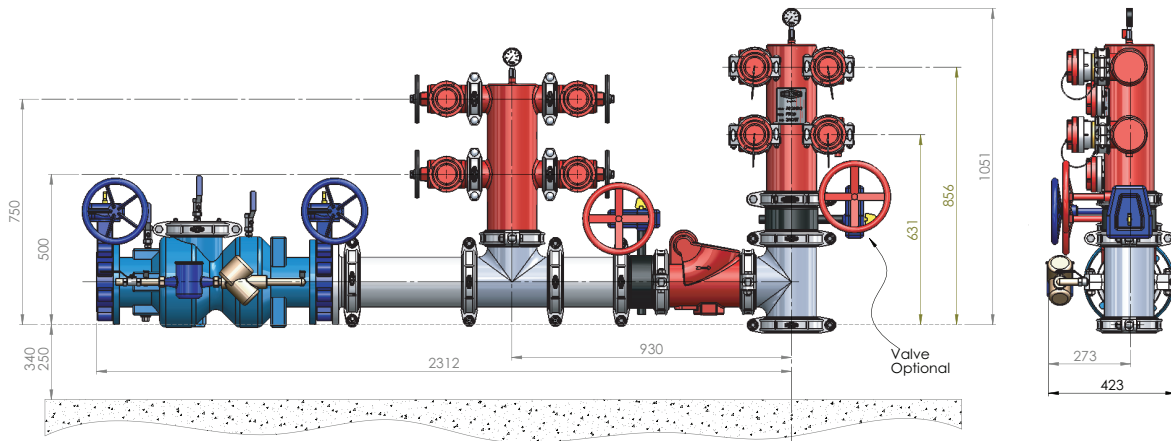


NSW Combined Suction/Booster c/w DDCV Backflow Prevention

Hydrant Boosters are designed in accordance with the requirements of AS2419.1-2005.



All Suction & Landing valves come fitted with Aluminium Forged alloy DIN Storz couplings as standard.



Part No.	Size NB	Description	Price \$
FFS-100MMBFP-S	100	2 Point Suction / Booster Assembly	7613.83
FFS-150MMBFP-S	150	4 Point Suction / Booster Assembly	21438.57
FFS-200MMBFP-S	200	6 Point Suction / Booster Assembly	22960.87

Note: Inlet connections and supports are not supplied as standard. Outlet adaptor supplied on request refer to page 462. Dimensions based on using Short Series Fittings.

Price Group: FE

FP02

Note: Backflow protected Suction Booster Kits come as standard with Watermarked Gear Operated butterfly valves either side of Backflow valve.



1300 134 651
dixonvalve.com.au

All prices exclude GST.
ADPL718