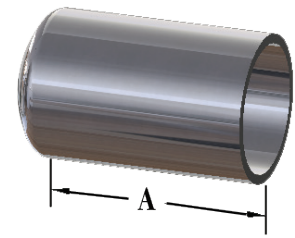


Weld Caps

Size (inch)	Dim (A)	PL Finish - SF1		PM Finish - SF4	
		Part No.	Price \$	Part No.	Price \$
½	38.10	T16W-050PL	50.48	T16W-050PM	104.00
¾	38.10	T16W-075PL	48.24	T16W-075PM	101.74
1	38.10	T16W-100PL	40.95	T16W-100PM	116.18
1½	38.10	T16W-150PL	65.06	T16W-150PM	168.58
2	38.10	T16W-200PL	75.48	T16W-200PM	205.76
2½	38.10	T16W-250PL	109.69	T16W-250PM	270.36
3	38.10	T16W-300PL	152.37	T16W-300PM	352.34
4	50.80	T16W-400PL	202.77	T16W-400PM	452.57
6	63.50	T16W-600PL	536.99	T16W-600PM	825.35



BPE Table #DT-30

Price Group: DS
AV14

Note: Not all sizes and finishes are stocked.

PL Finish - SF1

OD = 32R_a Mechanically Polished

ID = 20R_a Mechanically Polished

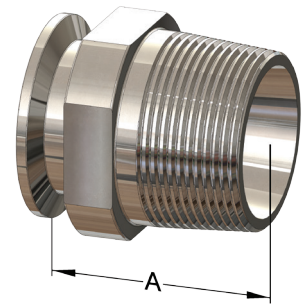
PM Finish - SF4

OD = 32R_a Mechanically Polished

ID = 15R_a Mechanically Polished & Electropolished

Clamp Adaptor x Male NPT

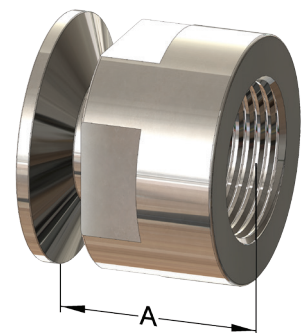
Size (inch)	Dim (A)	PL Finish - SF1	
		Part No.	Price \$
½ x ¼	50.800	T21MP-050025PL	83.35
½ x ⅜	50.800	T21MP-050375PL	94.05
½	41.275	T21MP-050PL	207.99
½ x ¾	50.800	T21MP-050075PL	118.25
¾ x ¼	50.800	T21MP-075025PL	277.43
¾ x ½	50.800	T21MP-075050PL	103.41
¾	57.150	T21MP-075PL	112.84
1	57.150	T21MP-100PL	171.85
1½	57.150	T21MP-150PL	185.08
2	67.005	T21MP-200PL	262.74
2½	73.025	T21MP-250PL	347.28
3	77.978	T21MP-300PL	484.16
4	80.137	T21MP-400PL	519.59



Price Group: DS
AV14

Clamp Adaptor x Female NPT

Size (inch)	Dim (A)	PL Finish - SF1	
		Part No.	Price \$
½ x ¼	38.100	T22MP-050025PL	89.97
½ x ⅜	38.100	T22MP-050375PL	75.84
½	38.100	T22MP-050PL	85.72
½ x ¾	38.100	T22MP-050075PL	107.21
¾ x ¼	38.100	T22MP-075025PL	367.69
¾ x ⅜	38.100	T22MP-075375PL	287.57
¾ x ½	41.275	T22MP-075050PL	94.09
¾	41.275	T22MP-075PL	103.86
1	41.275	T22MP-100PL	166.10
1½	57.150	T22MP-150PL	185.88
2	61.112	T22MP-200PL	242.25
2½	55.550	T22MP-250PL	292.41
3	55.550	T22MP-300PL	368.44
4"	92.761	T22MP-400PL	470.02



Price Group: DS
AV14