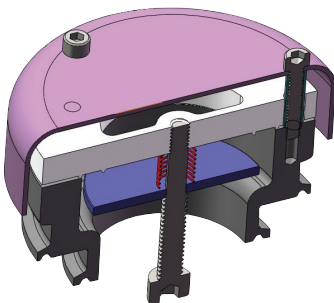
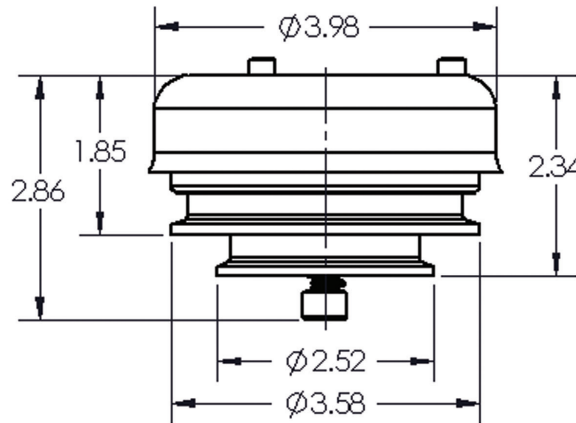


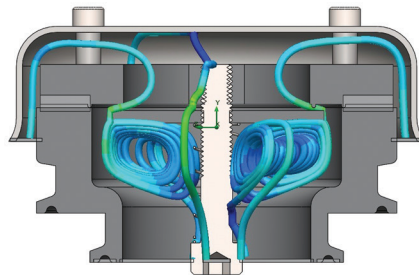
## Air & Vacuum Relief Tank Vent Valve

<b>Features:</b>	<ul style="list-style-type: none"> <li>The valve relieves pressure as the fluid level rises while filling a tank</li> <li>The valve relieves vacuum as the fluid level drops while emptying a tank</li> <li>2" and 3" clamp connections on the same valve</li> <li>Dome helps in preventing external contamination</li> <li>Light weight, robust PVC and 304 stainless steel construction</li> <li>Can use any clamp gasket</li> </ul>
<b>Materials:</b>	<ul style="list-style-type: none"> <li>304 stainless steel</li> <li>PVC</li> </ul>
<b>Flow Rate:</b>	110m <sup>3</sup> /Hr
<b>Vacuum Break:</b>	0.1 PSI
<b>Pressure Relief:</b>	0.1 PSI

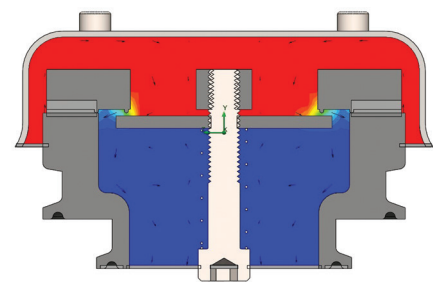
Size (inch)	Part No.	Price \$
2 and 3	TVPC200-300	199.35



Assembly



Vent Flow Pipes



Pressure Analysis