

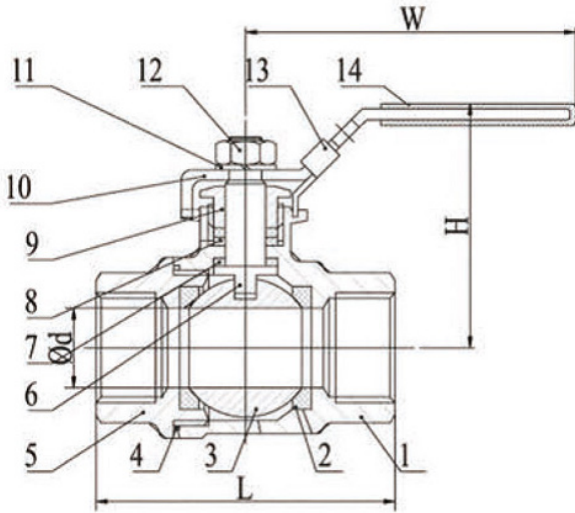


The Right Connection®

Stainless Steel 2-Piece Ball Valve Technical Information

Material List

Item	Part	Material	Quantity
1	Body	304 & 316	1
2	Ball Seat	PTFE	2
3	Ball	304 & 316	1
4	Body Gasket	PTFE	1
5	Cap	304 & 316	1
6	Stem	SS316	1
7	Thrust Washer	PTFE	1
8	Stem Packing	PTFE	2
9	Gland Nut	SS304	1
10	Handle	SS304	1
11	Washer	SS304	1
12	Nut	SS304	1
13	Lock Device	SS304	1
14	Handle Cover	Plastic	1

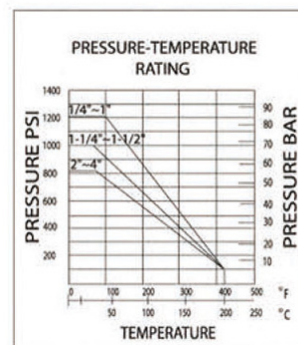


Dimension Table

Thread Size (mm)	Part Number SS304 (CF8)	Part Number SS316 (CF8M)	d	L	H	W	N.M	kgs
8	SS2CF8-08MM	SS2P-08MM	12.5	50	49	106	4	0.19
10	SS2CF8-10MM	SS2P-10MM	12.5	50	49	106	4	0.19
15	SS2CF8-12MM	SS2P-12MM	15	56	51	104	5	0.26
20	SS2CF8-20MM	SS2P-20MM	20	66	58	116	8	0.41
25	SS2CF8-25MM	SS2P-25MM	25	79	73	148	10	1.00
32	SS2CF8-32MM	SS2P-32MM	32	91	79	148	14	1.00
40	SS2CF8-40MM	SS2P-40MM	38	99	85	182	25	1.30
50	SS2CF8-50MM	SS2P-50MM	50	121	95	182	40	2.10
65	SS2CF8-65MM	SS2P-65MM	65	147	126	252	48	3.83
80	SS2CF8-80MM	SS2P-80MM	76	173	138	252	80	5.74
100	SS2CF8-100MM	SS2P-100MM	94	222	158	283	103	10.70

Product Group: VS02

Flow Rate		
Size	M ³ /h	Pressure drop Pa
1/4"	1.5	125
3/8"	2.6	125
1/2"	5.9	125
3/4"	14.3	125
1"	23.8	125
1 1/4"	42	125
1 1/2"	64.1	125
2"	95.5	125
2 1/2"	164.6	125
3"	245.1	125
4"	380.3	125



Dixon

1300 134 651

customerservice@dixonvalve.com.au

dixonvalve.com.au