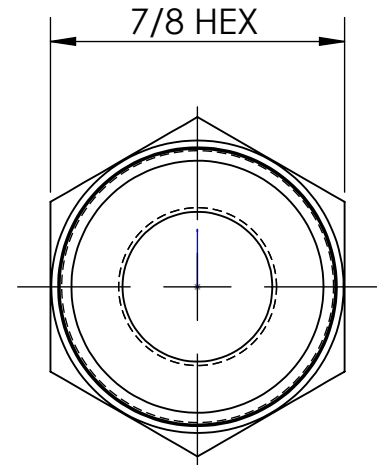
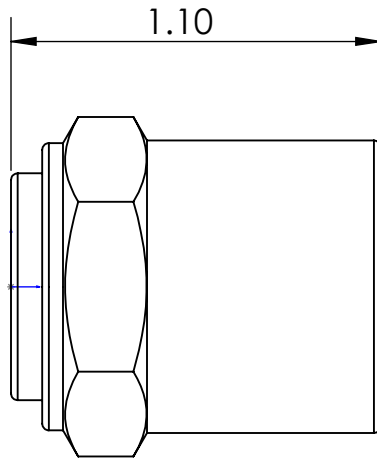
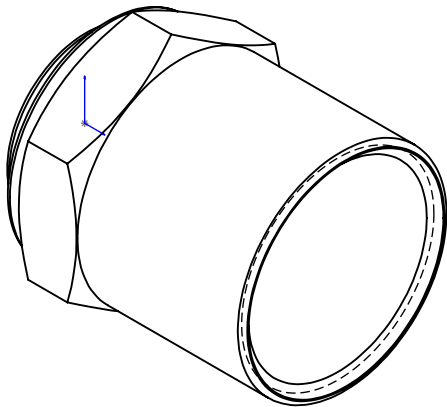
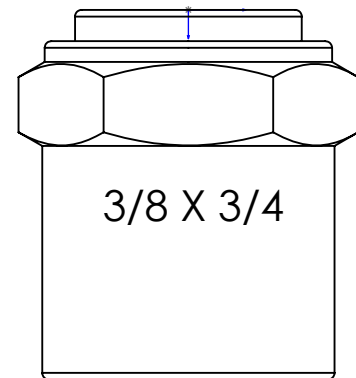
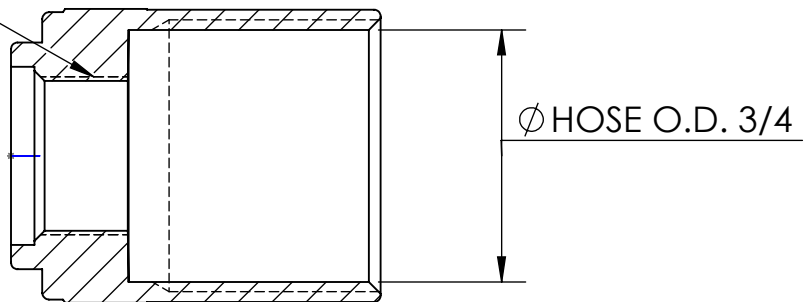



LINE DRAWING NOT FOR PRODUCTION PURPOSES



1/2 - 20 UNF 2B  
HOSE I.D. 3/8



THIS DRAWING CONTAINS INFORMATION DEEMED PROPRIETARY TO DIXON BRASS AND IS SO TO BE USED ONLY FOR THE PURPOSE FOR WHICH IT IS SUBMITTED, AND FURTHER, SHALL NOT BE COPIED IN WHOLE OR IN PART WITHOUT EXPRESS WRITTEN PERMISSION FIRST OBTAINED FROM DIXON BRASS.			
UNLESS OTHERWISE SPECIFIED:		 <b>Dixon Brass</b> Westmont, Illinois USA	DRAWN P. MONAGHAN DATE 10/9/14
DIMENSIONS ARE IN INCHES TOLERANCES: ANGLES: ±0°30' .X (±.015) .XX (±.010) .XXX (±.005)			APPROVED DATE
DIMENSIONS PER ANSI Y14.5		TITLE:	ECO NO.
		RE - USABLE FERRULE	DRAWING NOT REPRODUCED TO SCALE
		SIZE <b>A</b>	DWG. NO. 1800612F
			REV B