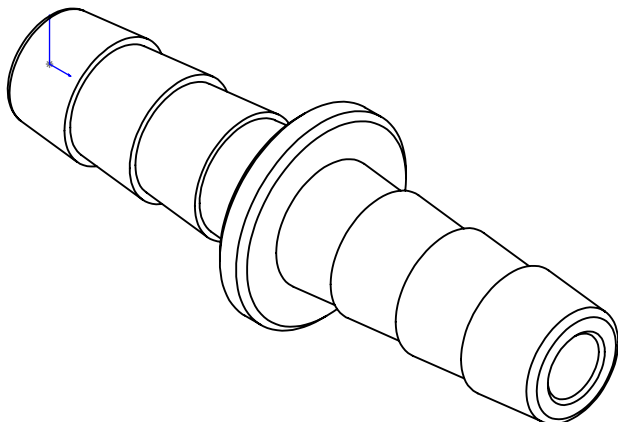
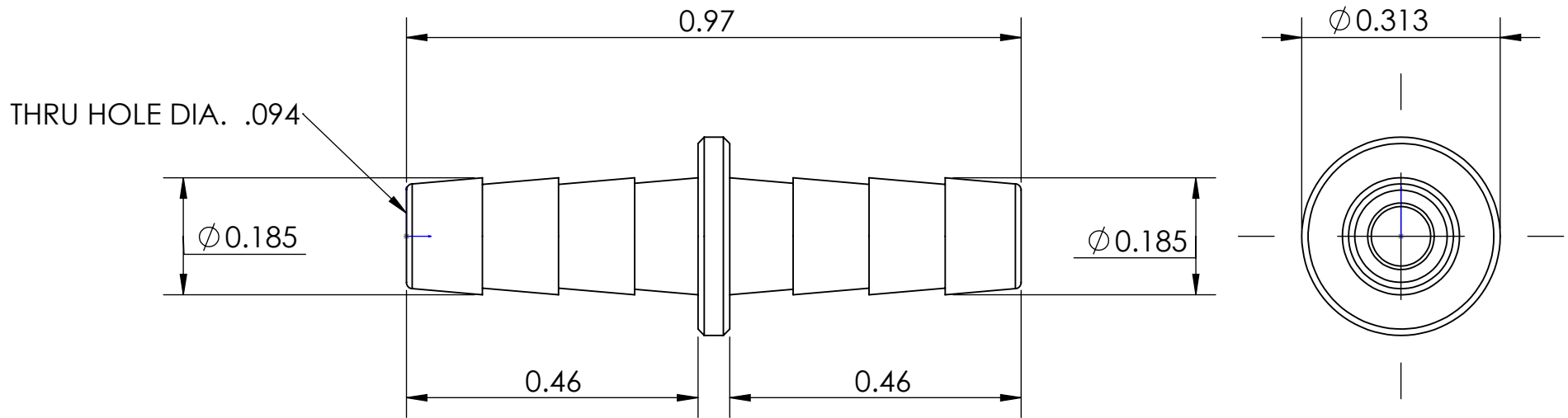



LINE DRAWING NOT FOR PRODUCTION PURPOSES



THIS DRAWING CONTAINS INFORMATION DEEMED PROPRIETARY TO DIXON BRASS AND IS SO TO BE USED ONLY FOR THE PURPOSE FOR WHICH IT IS SUBMITTED, AND FURTHER, SHALL NOT BE COPIED IN WHOLE OR IN PART WITHOUT EXPRESS WRITTEN PERMISSION FIRST OBTAINED FROM DIXON BRASS.			
UNLESS OTHERWISE SPECIFIED:			
DIMENSIONS ARE IN INCHES		 The Right Connection™	<b>Dixon Brass</b> Westmont, Illinois USA
TOLERANCES: ANGLES: ±0°30' .X (±.015) .XX (±.010) .XXX (±.005)			
DIMENSIONS PER ANSI Y14.5		TITLE:	ECO NO.
		HOSE SPLICER 1/8	DRAWING NOT REPRODUCED TO SCALE
		SIZE <b>A</b>	DWG. NO. 1780202C
			REV D