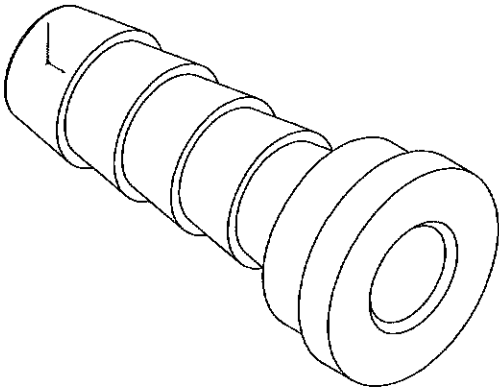
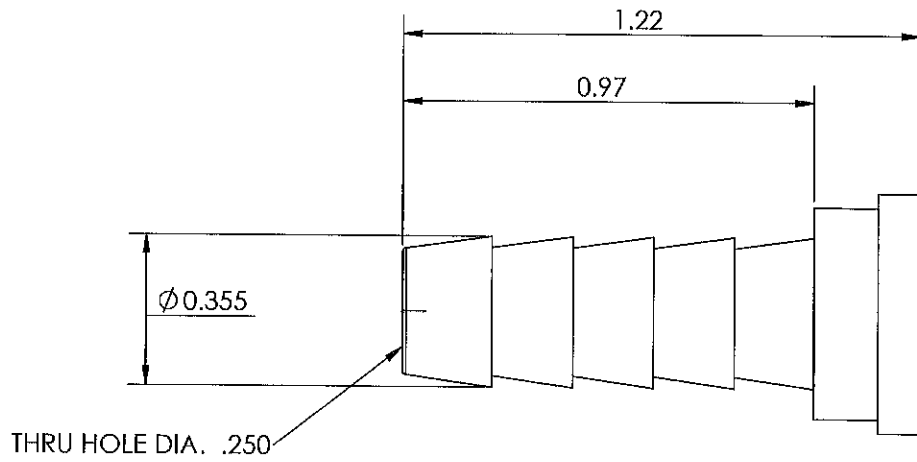

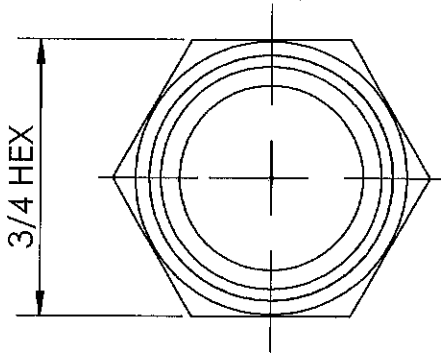
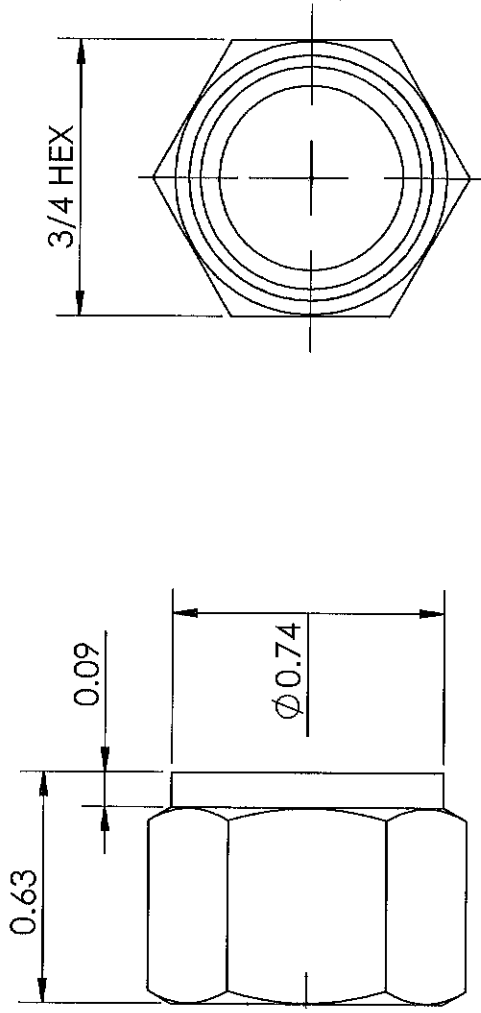


LINE DRAWING NOT FOR PRODUCTION PURPOSES

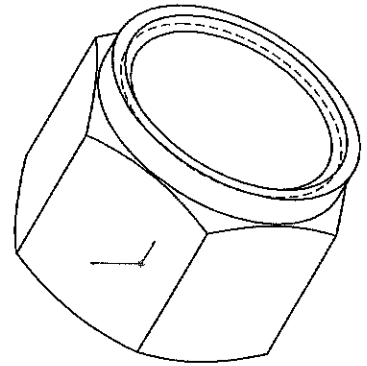
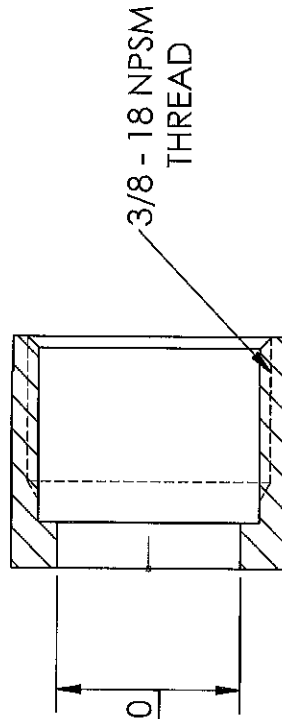


THIS DRAWING CONTAINS INFORMATION DEEMED PROPRIETARY TO DIXON BRASS AND IS TO BE USED ONLY FOR THE PURPOSE FOR WHICH IT IS SUBMITTED, AND FURTHER, SHALL NOT BE COPIED IN WHOLE OR IN PART WITHOUT EXPRESS WRITTEN PERMISSION FIRST OBTAINED FROM DIXON BRASS.			
UNLESS OTHERWISE SPECIFIED:			
DIMENSIONS ARE IN INCHES		 Dixon Brass Westmont, Illinois USA <i>The Right Connection™</i>	DRAWN P. MONAGHAN APPROVED ECO NO.
TOLERANCES: ANGLES: $\pm 0^{\circ}30'$.X ($\pm .015$) .XX ($\pm .010$) .XXX ($\pm .005$) DIMENSIONS PER ANSI Y14.6			DATE 2/28/14 DATE
TITLE: 5/16 SWIVEL STEM GASKET SEAT TYPE		DRAWING NOT REPRODUCED TO SCALE	
SIZE: A	DWG. NO. 1260506S	REV: C	

LINE DRAWING NOT FOR PRODUCTION PURPOSES



(THRU HOLE DIA.) Ø0.50



THIS DRAWING CONTAINS INFORMATION DEEMED PROPRIETARY TO DIXON BRASS AND IS SO TO BE USED ONLY FOR THE PURPOSE FOR WHICH IT IS SUBMITTED, AND FURTHER, SHALL NOT BE COPIED IN WHOLE OR IN PART WITHOUT EXPRESS WRITTEN PERMISSION FIRST OBTAINED FROM DIXON BRASS.		DATE 2/27/14	
UNLESS OTHERWISE SPECIFIED:		DRAWN P. MONAGHAN	
DIMENSIONS ARE IN INCHES		APPROVED	
TOLERANCES: ANGLES: ±0°30' X (±.015) XX (±.010) XXX (±.005)		DATE	
DIMENSIONS PER ANSI Y14.5		ECO NO.	
DIXON The Right Connection™		DRAWING NOT REPRODUCED TO SCALE	
Dixon Brass Westmont, Illinois USA		SIZE A	
TITLE: FEMALE SWIVEL NUT 3/8 - 18 NPSM		DWG. NO. 1240406N	
		REV D	