

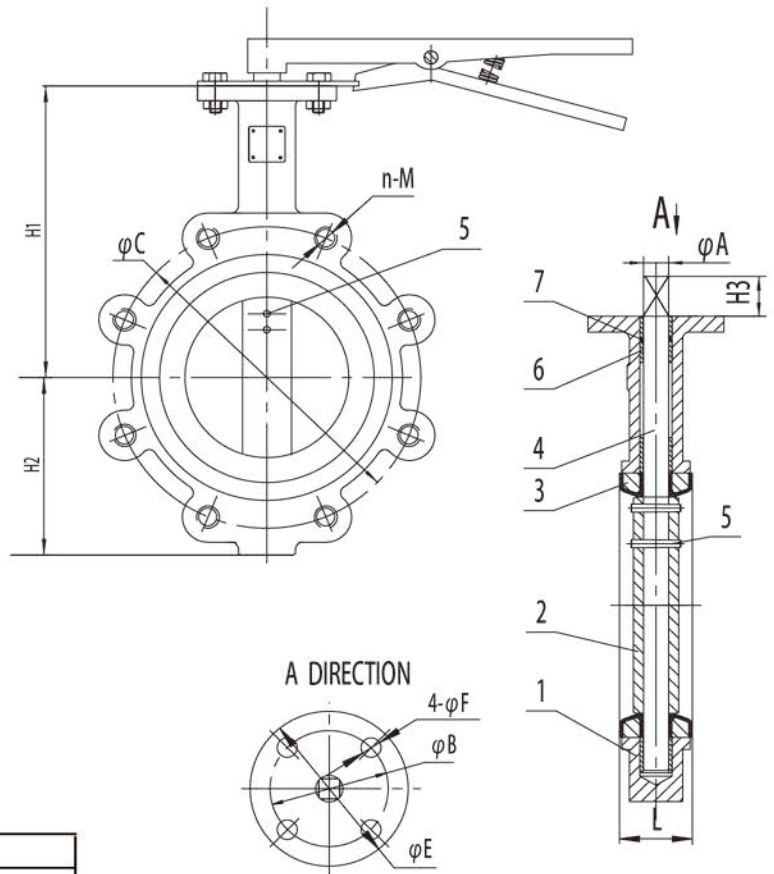
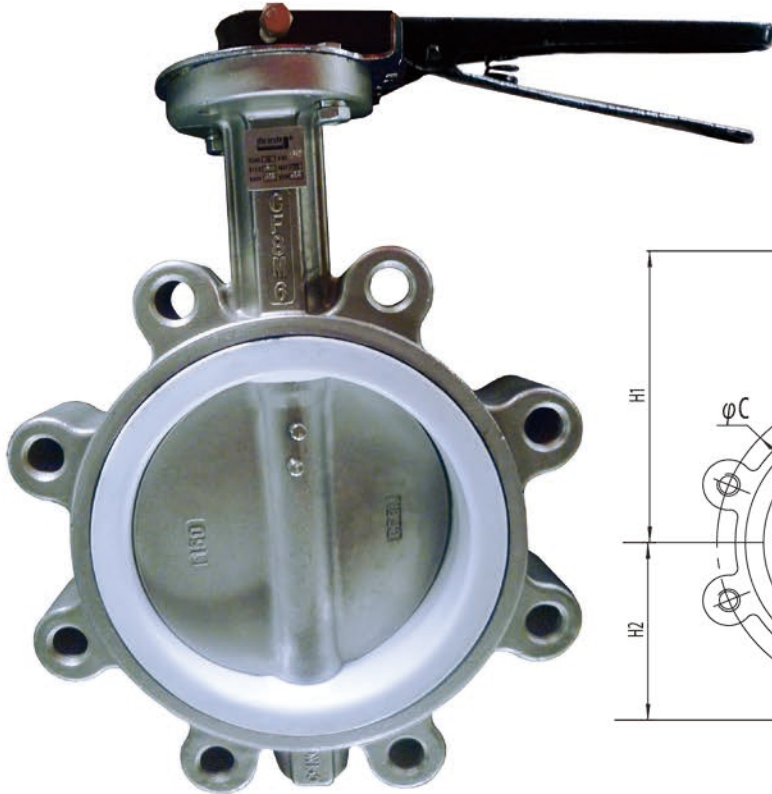


The Right Connection™

STAINLESS STEEL BUTTERFLY VALVES ISO MOUNT

SS316 BUTTERFLY VALVE, PN10, LUGGED TABLE E

FIG NO. SPLBFV



NO.	PARTS NAME	MATERIAL
1	BODY	CF8M
2	DISC	CF8M
3	SEAT	PTFE
4	STEM	SS316
5	TAPER PIN	SS316
6	BUSHING	P. T. F. E.
7	O-RING	EPDM

INCH	H3	L	ϕA	ϕE	ϕB	ϕF	AS2129TABLEE		H1	H2
							ϕC	n-M		
2"	30	45	12.7	65	50	7	114	4-M16	140	65
2.5"	30	48	12.7	65	50	7	127	4-M16	152	89
3"	30	49	12.7	65	50	7	146	4-M16	172	95
4"	30	55	15.8	92	70	9	178	8-M16	178	107
5"	30	58	19.05	92	70	9	210	8-M16	196	116
6"	30	59	19.05	92	70	9	235	8-M20	207	135
8"	30	64	22.2	125	102	11	292	8-M20	253	176