
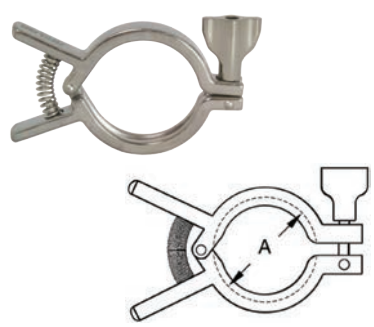


## Sanitary Clamps

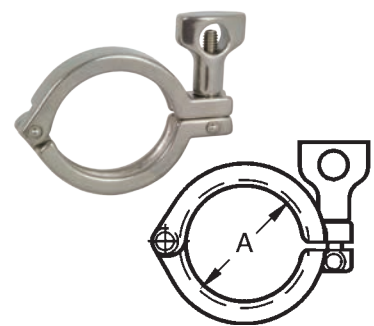
The  Sanitary Standard was created by the dairy industry as a voluntary benchmark for product performance and sanitary safety. The standard, developed by a group of processors, suppliers, regulatory officials and sanitation specialists, is generally accepted by federal, state and local regulatory authorities.

Dixon is proud to be a participant in the  program. Our products have earned the  symbol, which requires an annual assessment to make certain each product conforms in all respects to the published standard.



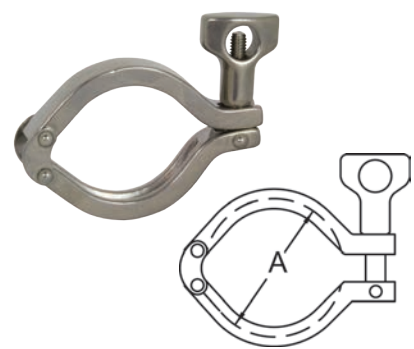
Single Pin Squeeze Clamps - 13MHMM-Q				
Tube OD (inch)	Service Pressure Rating @ 21°C* (PSI)	Dimensions (A)	304 Stainless Steel	
			Part No.	Price \$
½ - ¾	1500	1.062	13MHMM-Q75	34.11
1 - 1½	500	2.122	13MHMM-Q100150	42.11
2	450	2.654	13MHMM-Q200	49.14
2½	400	3.185	13MHMM-Q250	63.86
3	350	3.717	13MHMM-Q300	66.52
4	300	4.820	13MHMM-Q400	77.07

Price Group: DS



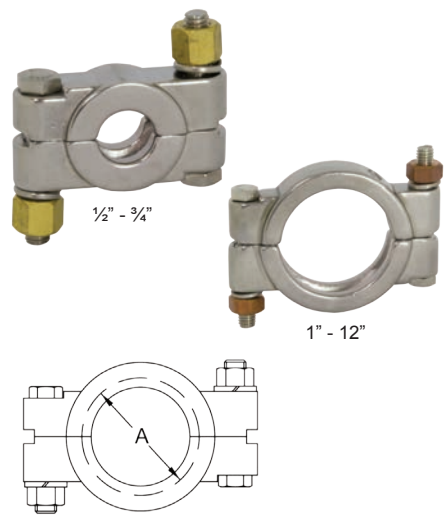
Single Pin Heavy Duty Clamps - 13MHMM				
Tube OD (inch)	Service Pressure Rating @ 21°C* (PSI)	Dimensions (A)	304 Stainless Steel	
			Part No.	Price \$
½ - ¾	1500	1.062	13MHMM50-75	i 13.70
1 - 1½	500	2.122	13MHMM100-150	18.50
2	450	2.654	13MHMM200	22.39
2½	400	3.185	13MHMM250	26.12
3	350	3.717	13MHMM300	28.62
4	300	4.820	13MHMM400	38.59
6	150	6.625	13MHMM600	i 102.75
8	100	8.695	13MHMM800	i 135.92

Price Group: DS



Double Pin Heavy Duty Clamps - 13MHMM-DP				
Tube OD (inch)	Service Pressure Rating @ 21°C* (PSI)	Dimensions (A)	304 Stainless Steel	
			Part No.	Price \$
1 - 1½	500	2.122	13MHMM-DP100150	25.27
2	450	2.654	13MHMM-DP200	28.25
2½	400	3.185	13MHMM-DP250	i 31.08
3	350	3.717	13MHMM-DP300	36.62
4	300	4.820	13MHMM-DP400	i 45.68
10	75	10.708	13MHMM-DP1000	i 459.31

Price Group: DS



Bolted Clamps - 13MHP					
Tube OD (inch)	Service Pressure Rating @ 21°C* (PSI)	Service Pressure Rating @ 121°C* (PSI)	Dimensions (A)	Stainless Steel	
				Part No.	Price \$
½ - ¾	1500	1200	1.062	13MHP75	48.72
1 - 1½	1500	1200	2.046	13MHP100-150	49.48
2	1000	800	2.578	13MHP200	60.08
2½	1000	800	3.110	13MHP250	63.06
3	1000	800	3.640	13MHP300	77.98
4	800	600	4.744	13MHP400	86.90
6	300	200	6.632	13MHP600	113.97
8	250	150	8.638	13MHP800	i 179.41
10	200	125	10.740	13MHP1000	i 344.62
12	150	100	12.740	13MHP1200	i 394.13

Price Group: DS

AV03

340 - 361



Phone: 1300 134 651  
dixonvalve.com

ADPL2015

Part numbers marked "i" are non stock.  
Enquire for availability.  
All prices exclude GST.