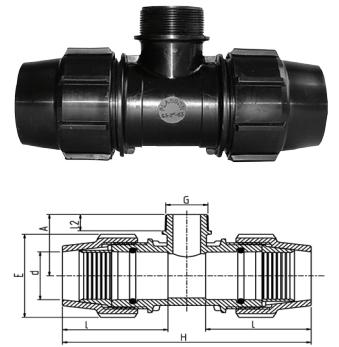


7840 - Metric Tee x Male BSP

d (mm)	G (mm)	Part No. UOM	A (mm)	H (mm)	E (mm)	I (mm)	I2 (mm)	Weight (g)	Price \$
20	1/2"	PCF-TEE-20-15M	46	138	48	56	17	105	16.88
20	3/4"	PCF-TEE-20-20M	46	144	48	56	18	108	16.88
25	1/2"	PCF-TEE-25-15M	48	146	54	58	17	134	15.82
25	3/4"	PCF-TEE-25-20M	50	146	54	58	18	137	16.46
32	1"	PCF-TEE-32-25M	58	170	64	67	20	218	27.05
40	1 1/2"	PCF-TEE-40-40M	71	205	82	84	22	376	35.33
50	1 1/2"	PCF-TEE-50-40M	77	230	96	93	22	520	58.55



Price Group: SD
MS01

7845 - Metric Mine Tee x Male BSP

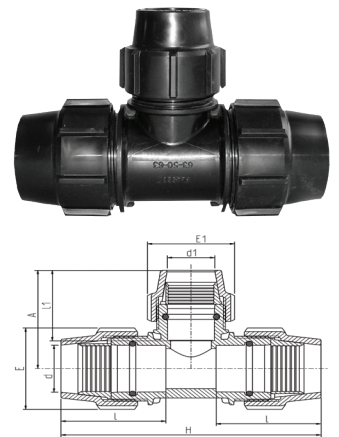
d (mm)	G (mm)	Part No. UOM	A (mm)	H (mm)	E (mm)	I (mm)	I2 (mm)	Weight (g)	Price \$
63	2"	PCF-TEE-63-50M	92	272	113	110	26	877	74.27



Price Group: SD
MS01

7340 - Metric Reducing Tee

d (mm)	d1 (mm)	Part No.	A (mm)	H (mm)	E (mm)	E1 (mm)	I (mm)	I1 (mm)	Weight (g)	Price \$
32	25	PCF-TEE-32-25	63	173	64	54	67	58	256	29.32
40	25	PCF-TEE-40-25	84	205	82	54	84	58	412	48.56
50	25	PCF-TEE-50-25	105	228	96	54	93	76	543	68.17
50	32	PCF-TEE-50-32	117	230	96	64	93	67	645	68.17
50	40	PCF-TEE-50-40	114	236	113	64	113	62	892	68.17
75	63	PCF-TEE-75-63	153	353	132	113	132	109	1667	172.50
110	63	PCF-TEE-110-63	292	583	181		194		6128	483.50



Price Group: SD
MS01

7345 - Metric Mine Reducing Tee

d (mm)	d1 (mm)	Part No.	A (mm)	H (mm)	E (mm)	E1 (mm)	I (mm)	I1 (mm)	Weight (g)	Price \$
63	32	PCF-TEE-63-32	118	268	113	82	113	84	892	100.17
63	50	PCF-TEE-63-50	132	275	113	96	110	93	1020	100.17



Price Group: SD
MS01