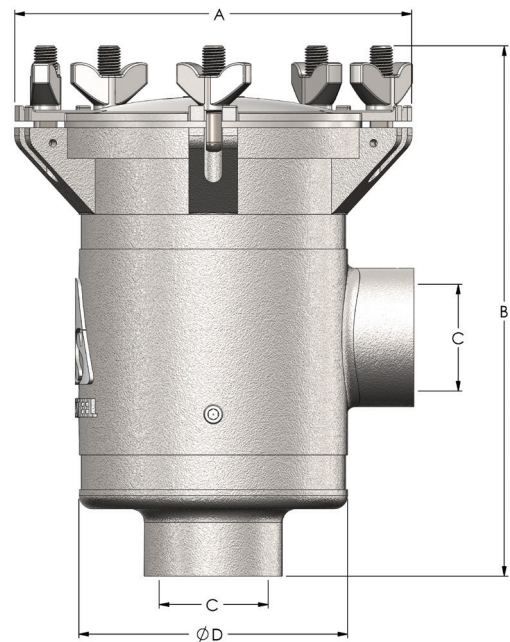
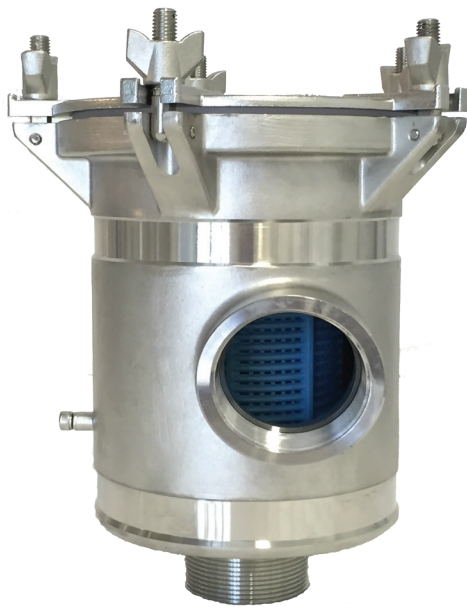


**BISO Strainers - Bottom Inlet, Side Outlet**

<b>Application:</b>	Suitable for applications where a superior corrosion resistant stainless steel is required to filter liquids. Commonly used to strain seawater for engines, generators, HVAC systems in vessels, however can be used for other liquids that require a high grade stainless steel filter to protect pumps, nozzles and injectors from large particles.
<b>Body Material:</b>	Electro-polished AISI 2205 cast stainless steel
<b>Lid Material:</b>	Electro-polished AISI 2205 cast stainless steel
<b>Features:</b>	<ul style="list-style-type: none"> <li>• Offset outlet for improved performance</li> <li>• Secured by 5 wing nuts for safe, quick and easy access</li> <li>• No tools required</li> <li>• Swing down eye bolts eliminates need to remove nuts</li> <li>• BSP thread inlet and outlet, flanges available on request</li> <li>• Full height, high impact resistant ABS basket</li> <li>• Cast anode connection point to combat galvanic corrosion</li> </ul>
<b>Options:</b>	<ul style="list-style-type: none"> <li>• 316 stainless steel basket</li> <li>• Clear polycarbonate or solid lid</li> </ul>



Size BSP (inch)	Part No.	Lid	Flow Rate 1 Bar L/Min	Lid Width A mm	Height B mm	Thread Size C BSP	Thread Type	Body Width D mm	Weight (kg)	Price \$ (ea)
1"	WS-BISO-100-C-A	Clear	425	150	235	1"	Male x Female	95	2.90	561.43
	WS-BISO-100-S-A	Solid	425	150	235	1"	Male x Female	95	3.10	572.34
1½"	WS-BISO-150-C-A	Clear	903	150	235	1½"	Male x Female	95	3.05	561.43
	WS-BISO-150-S-A	Solid	903	150	235	1½"	Male x Female	95	3.15	572.34
2"	WS-BISO-200-C-A	Clear	1,375	200	272	2"	Male x Female	140	5.70	904.37
	WS-BISO-200-S-A	Solid	1,375	200	272	2"	Male x Female	140	6.20	919.15
2½"	WS-BISO-250-C-A	Clear	1,974	200	272	2½"	Female x Female	140	5.90	904.37
	WS-BISO-250-S-A	Solid	1,974	200	272	2½"	Female x Female	140	6.25	919.15
3"	WS-BISO-300-C-A	Clear	3,103	235	332	3"	Female x Female	164	11.55	1572.83
	WS-BISO-300-S-A	Solid	3,103	235	332	3"	Female x Female	164	12.30	1595.42
4"	WS-BISO-400-C-A	Clear	5,710	273	474	4"	Female x Female	220	18.15	2580.27
	WS-BISO-400-S-A	Solid	5,710	273	474	4"	Female x Female	220	18.95	2595.90
6"	WS-BISO-600-S-A	Solid	13,538	360	510	6"	Female x Female	310	32.00	3515.07

Price Group: HS  
AS20

