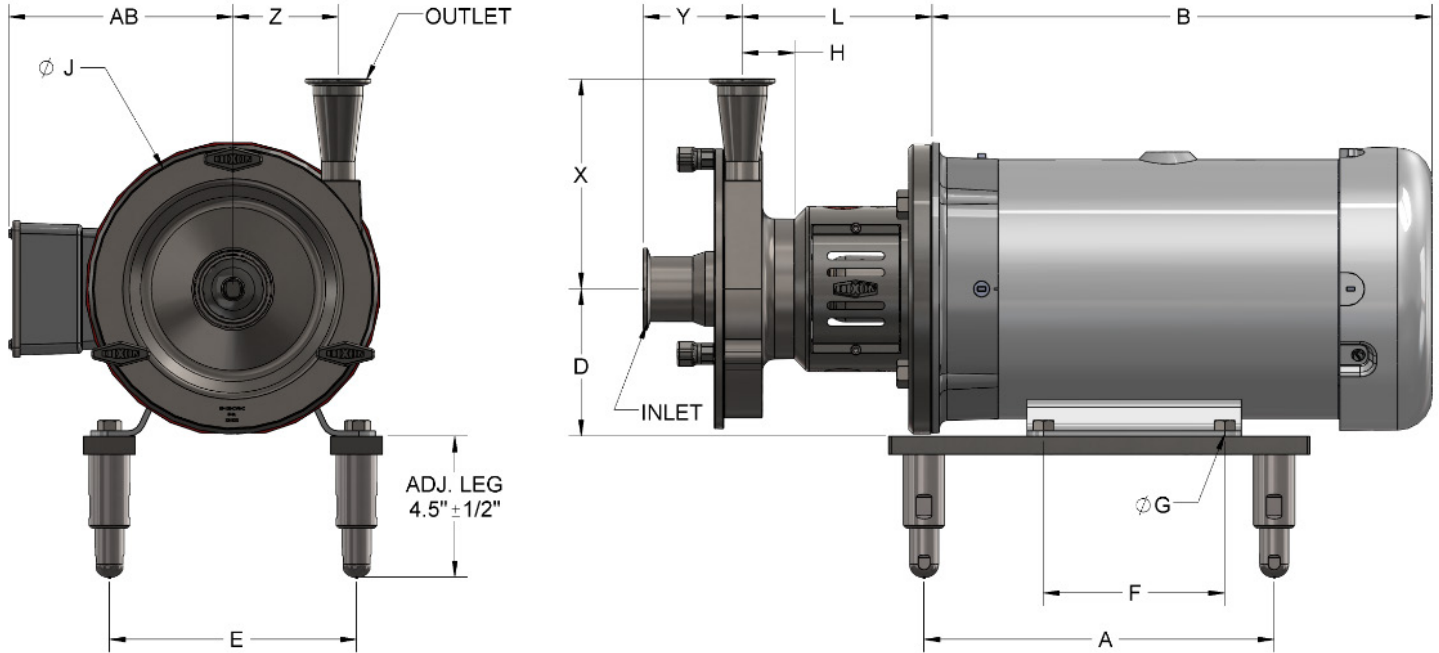




The Right Connection®

ExD-Series Centrifugal Pump Casing Drain

Dimensional for ExD-Series



Pump Model	Motor Frame Size	DIMENSIONS IN INCHES													
		A	AA (Conduit Size)	AB	B	D	E	F	ØG	H	ØJ	L	X	Y	Z
ExD 100 ExD 110	56C	8.50	0.50	5.00											
	143/145TC	9.50	0.75	5.25	**	3.50	4.88	3.00	0.34	1.51	5.95	5.44	4.20	2.16	2.00
	182/184TC	10.63	0.75	5.88		4.50	7.50	4.50	0.41						
ExD 120 ExD 130	56C	8.50	0.50	5.00											
	143/145TC	9.50	0.75	5.25	**	3.50	4.88	3.00	0.34	1.60	8.50	5.75	6.38	3.00	3.20
	182/184TC	10.63	0.75	5.88		4.50	7.50	4.50	0.41						
ExD 200 ExD 210	182/184TC	10.63	0.75	5.88											
	213/215TC	13.88	1.00	7.38	**	4.50	7.50	5.50	0.41	1.84	9.94	7.63	7.62	3.34	3.50
	254/256TC	18.00	1.00	9.63		6.25	10.00	8.25	0.53						
ExD 220 ExD 230	182/184TC	10.63	0.75	5.88											
	213/215TC	13.88	1.00	7.38	**	4.50	7.50	5.50	0.41	1.96	10.51	7.75	8.25	3.13	3.63
	254/256TC	18.00	1.00	9.63		6.25	10.00	8.25	0.53						

Pump Model	Connection Sizes	
	Inlet	Outlet
EXD 100	1.00	1.00
EXD 110	1.50	1.00
EXD 120	2.00	1.50
EXD 130	2.50	1.50

- All dimensions are given in inches.
- All dimensions are for guidance only.
- Contact Dixon Sanitary for detailed drawing.

Pump Model	Connection Sizes	
	Inlet	Outlet
EXD 200	2.50	2.00
EXD 210	3.00	2.00
EXD 220	3.00	2.50
EXD 230	4.00	2.50

Dixon Sanitary

N25 W23040 Paul Road • Pewaukee, WI 53072

ph: 800.789.1718 • 262.513.6900 • fx: 800.789.4046 • 262.513.4904

dixonvalve.com