

# Combination C31

= "Most Popular"

**B**

Filters, Regulators, Lubricators



**C31-06-000**

## Features

- 5 Micron Filtration
- High Flow Capacity
- Large Bowl Reservoir
- Pressure Gauge
- Standard Self-relieving

## Specifications

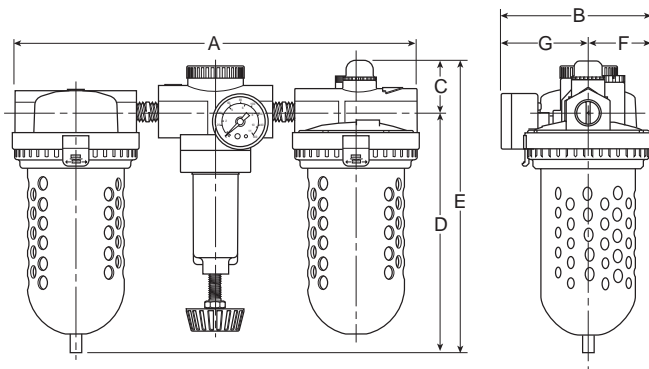
Flow Capacity*	3/4, 1	374 SCFM (176.5 dm <sup>3</sup> /s)
Gauge Ports (2)	NPT	1/4
Port Threads	NPT	3/4, 1
Pressure & Temperature Ratings –		
Plastic Bowl	0 to 150 PSIG (0 to 10.3 bar) 32°F to 125°F (0°C to 52°C)	
Metal Bowl	0 to 200 PSIG (0 to 13.8 bar) 32°F to 175°F (0°C to 80°C)	
Standard Filtration	5 Micron	
Weight	18.2 lb. (8.2 kg)	

\* Inlet pressure 120 PSIG (8.3 bar). Pressure drop 5 PSID (0.3 bar).

**"F" Series Filters, Type "A" 5 micron elements:** All Wilkerson Type "A" 5 micron elements **meet or exceed ISO Class 3** for maximum particle size and concentration of solid contaminants.

## Materials of Construction

Body	Zinc
Bonnet, Piston	Zinc
Bowls –	
Plastic Bowl	Polycarbonate
Metal Bowl	Zinc
Filter Element	Polypropylene
Seals –	
Plastic Bowl	Nitrile
Metal Bowl	Fluorocarbon
Sight Dome	Nylon
Springs	Steel
Suggested Lubricant	Airline Oil F442001
Valve Assembly	Brass / Nitrile / Acetal



## Dimensions

Model	Inches (mm)	A	B	C	D	E	F	G
Standard Unit C31-XX-000		15.30 (389)	5.70 (145)	1.98 (50)	8.96 (228)	10.94 (278)	2.40 (60.9)	3.30 (83.8)

= "Most Popular"

**Note: For Kits and Repair Parts, see individual pages for Filters, Regulators, and Lubricators.**

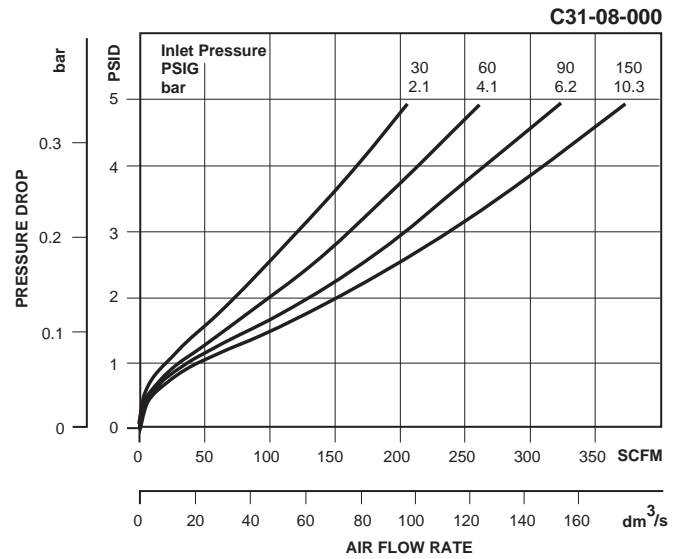
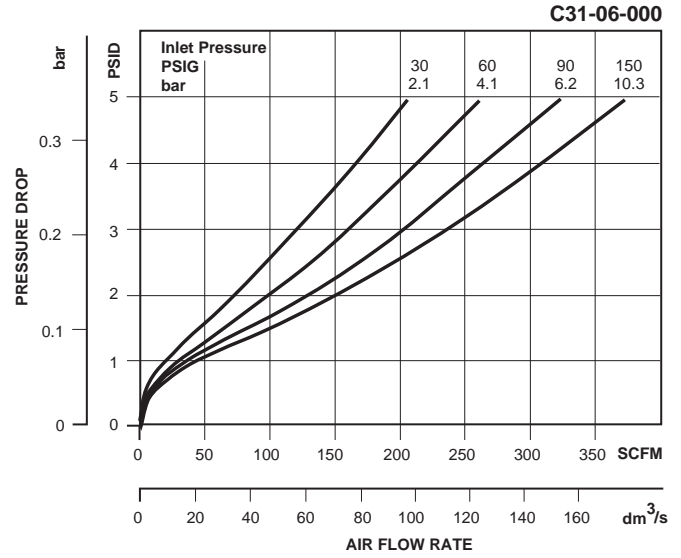
**⚠ WARNING**

**Product rupture can cause serious injury.  
Do not connect regulator to bottled gas.  
Do not exceed maximum primary pressure rating.**

**CAUTION:**

**REGULATOR PRESSURE ADJUSTMENT** – The working range of knob adjustment is designed to permit outlet pressures within their full range. Pressure adjustment beyond this range is also possible because the knob is not a limiting device. This is a common characteristic of most industrial regulators, and limiting devices may be obtained only by special design.

For best performance, regulated pressure should always be set by increasing the pressure up to the desired setting.



**B**  
Filters, Regulators, Lubricators

**Ordering Information**

Model Type	Port Size	Plastic Bowl / Bowl Guard 0 to 125 PSIG (0 to 8.5 bar)
<b>C31</b>	3/4	C31-06-000
	1	C31-08-000

Options - To order an option supplied with the unit model, add the appropriate coded suffix letter in the designated position of the model number.