

Non-relieving models

Brass body, corrosion resistant construction

Full flow gauge ports can be used as auxiliary outlets

Not for potable water



R43



11-009

Technical data

Fluid:

Water and compressed air, neutral gases

NOTE: Contact technical support for use with other media.

Maximum pressure

400 psig (27 bar)

Operating temperature:

Water service: 35° to 200°F (2° to 93°C)

Air service: -30° to 200°F (-34° to 93°C)*

* Air supply must be dry enough to avoid ice formation at temperatures below 35°F (2°C).

R43 Gauge ports

1/4" PTF with PTF main ports

1/4" ISO G with ISO G main ports

11-009 Gauge ports:

1/8" PTF with PTF main ports

G1/8 with ISO G main ports

Materials:

Body: brass

Bonnet: aluminum

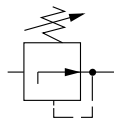
Valve: brass

Bottom plug: brass

Elastomers: nitrile

R43 Ordering information

Models listed have T-handle adjustment, 5 to 125 psig (0.3 to 8.5 bar) outlet pressure adjustment range*, and PTF threads. A gauge is not included.

| ISO Symbol | Port | Model | Flow† U.S. gpm (lpm) | Weight lb (kg) |
|---|------|--------------|----------------------|----------------|
|  | 1/4" | R43-201-NNLA | 6 (23) | 2.4 (1.09) |
| | 3/8" | R43-301-NNLA | 6 (23) | 2.4 (1.09) |
| | 1/2" | R43-406-NNLA | 9 (34) | 2.4 (1.09) |

† Typical flow with 150 psig (10 bar) inlet pressure, 90 psig (6.3 bar) set pressure and 15 psig (1 bar) droop from set.

11-009 Ordering information

Models listed have PTF threads, T-bar adjustment, non-relieving diaphragm, and 5 to 125 psig (0.3 to 8.5 bar) outlet pressure adjustment range*. A gauge is not included.

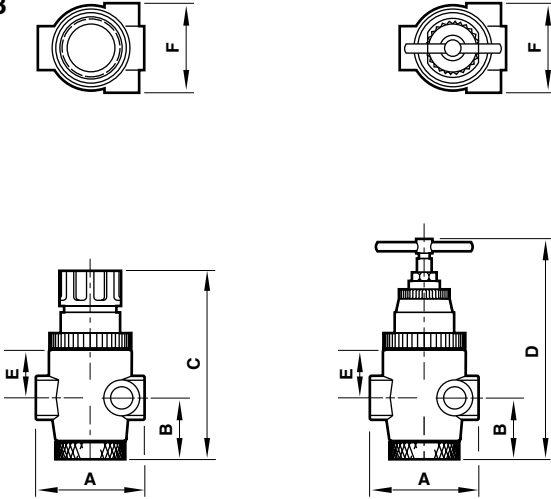
| Port Size | Model Number | Flow † U.S. gpm (lpm) | Weight lbs (kg) |
|-----------|--------------|-----------------------|-----------------|
| 3/4" | 11-009-065 | 27.5 (104) | 17.2 (801.79) |
| 1" | 11-009-081 | 27.5 (104) | 16.5 (484.27) |

* Outlet pressure can be adjusted to pressures in excess of, and less than, those specified. Do not use these units to control pressures outside of the specified ranges.

† Typical flow with 100 psig (6.9 bar) inlet pressure, 60 psig (4 bar) set pressure and 15 psig (1 bar) droop from set.

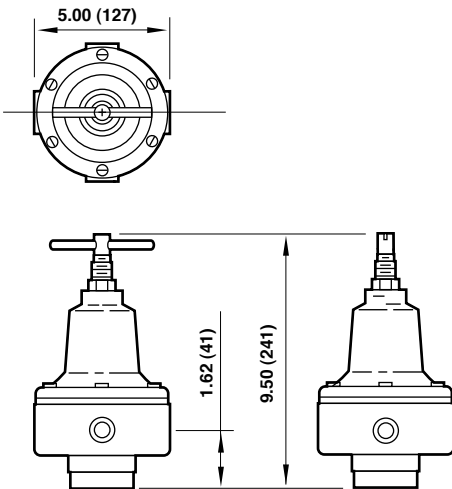
Panel mounting hole diameter: 1.89" (48 mm)
Maximum panel thickness: 0.19" (5 mm)

R43

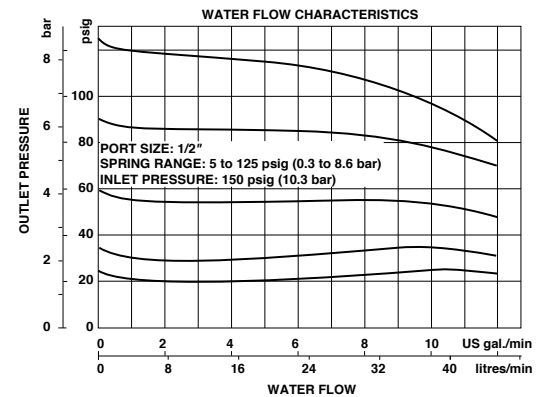
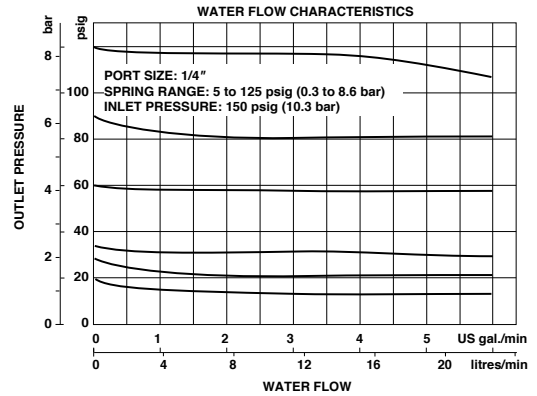


| Port Size | A | B | C | D | E | F |
|------------|-----------|-----------|------------|------------|-----------|-----------|
| 1/4", 3/8" | 2.76 (70) | 1.52 (39) | 4.86 (124) | 5.75 (146) | 1.21 (31) | 2.31 (59) |
| 1/2" | 3.34 (85) | 1.59 (41) | 5.01 (127) | 5.90 (150) | 1.28 (33) | 2.44 (62) |

11-009



Typical Performance Characteristics

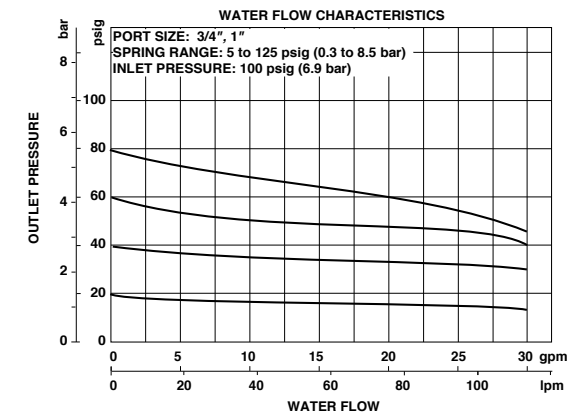


Service Kits

| Item | Type | Part number |
|-------------|--------------------------------|-------------|
| Service Kit | For 1/4" and 3/8" ported units | 5298-03 |
| | For 1/2" ported units | 5298-10 |

Service kit includes diaphragm, o-rings, valve, valve spring.

Typical Performance Characteristics



Service Kits

| Type | Part number |
|---------------|-------------|
| Non-relieving | 2436-03 |

Service kit includes diaphragm, valve seat, valve pin, valve pin gasket, valve, valve spring, and o-rings.

Dimensions in inches (mm)